



Cisco UCS C220/C240/ B200 M5 Memory Guide

CONTENTS

Memory Organization	3
Memory Devices (DIMMs and PMEMs)	4
Memory Configurations and Modes	5
DIMM Guidelines	5
PMEM Guidelines	6
DIMM Memory Mirroring	8
CPU DIMM Configuration Without Memory Mirroring	8
CPU DIMM Configuration With Memory Mirroring	9
System Speeds	10
Physical Layout	11
DIMM Population Rules	12
DIMM Population Order	14
Recommended DIMM Configurations	15
Supported DIMM Configurations	17
Memory Capacities for CPU Classes	20
All DIMM Configurations	20
All DIMM Configurations for 2nd Generation Intel® Xeon® Scalable Processors	20
All DIMM Configurations for Intel® Xeon® Scalable Processors	22
Mixed DIMM/PMEM Configurations	23
DIMM/PMEM Configurations for 2nd Generation Intel® Xeon® Scalable Processors	23
For 2nd Generation Intel® Xeon® Scalable Processors:	23
Installing a DIMM or DIMM Blank	38

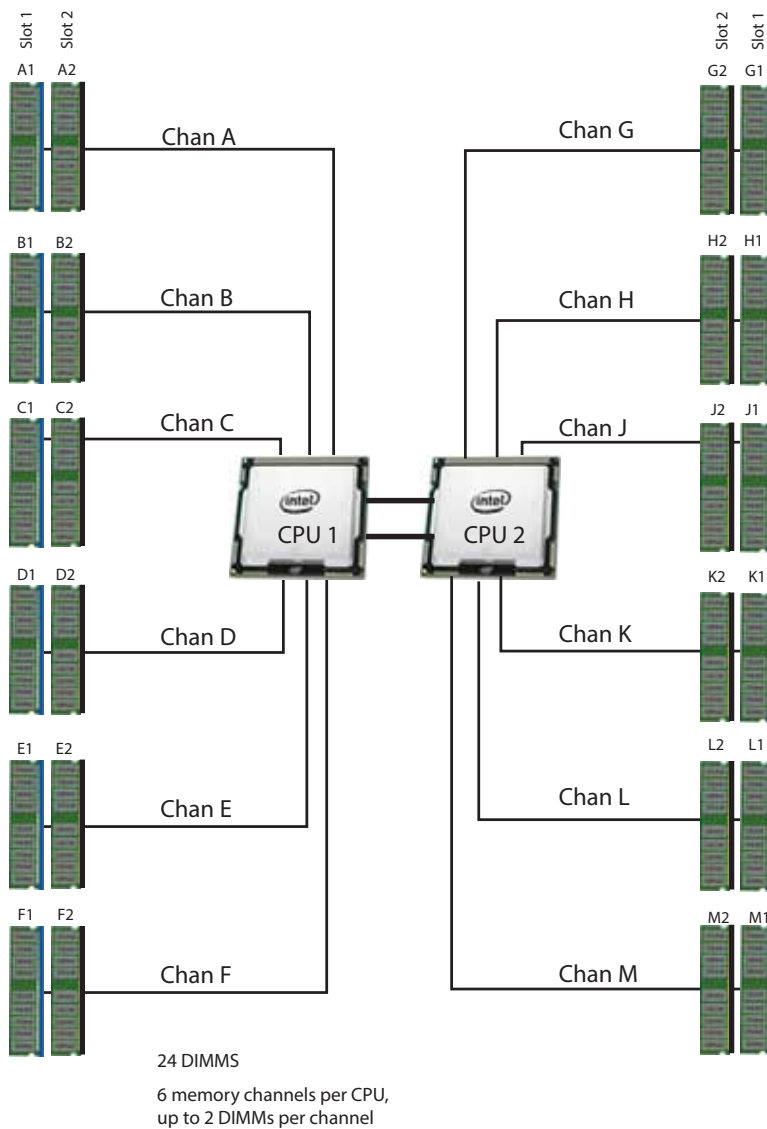
Memory Organization

The standard memory features are:

- Clock speed: 2666 MHz or 2933 MHz depending on CPU type
- Ranks per DIMM: 1, 2, 4, or 8
- Operational voltage: 1.2 V
- Registered ECC DDR4 DIMMS (RDIMMs), load-reduced DIMMs (LRDIMMs), through-silicon via DIMMs (TSV DIMMs), or Intel® Optane™ Persistent Memory (PMEMs).

Memory is organized with six memory channels per CPU, with up to two memory devices per channel, as shown in [Figure 1](#).

Figure 1 C220, C240, B200 M5 Memory Organization



Memory Devices (DIMMs and PMEMs)

The available memory devices are listed in [Table 1](#).

Table 1 Available DDR4 DIMMs and PMEMs

Product ID (PID)	PID Description	Voltage	Ranks /DIMM
2666-MHz DIMMs			
UCS-MR-128G8RS-H	128 GB DDR4-2666-MHz TSV-RDIMM/8R/x4	1.2 V	8
UCS-MR-X64G4RS-H	64 GB DDR4-2666-MHz TSV-RDIMM/4R/x4	1.2 V	4
UCS-ML-X64G4RS-H	64 GB DDR4-2666-MHz LRDIMM/4R/x4	1.2 V	4
UCS-MR-X32G2RS-H	32 GB DDR4-2666-MHz RDIMM/2R/x4	1.2 V	2
UCS-ML-X32G2RS-H	32 GB DDR4-2666-MHz LDIMM/2R/x4	1.2 V	2
UCS-MR-X16G1RS-H	16 GB DDR4-2666-MHz RDIMM/1R/x4	1.2 V	1
2933-MHz DIMMs			
UCS-ML-256G8RT-H ¹	256 GB DDR4-2933-MHz LRDIMM/8Rx4/1.2v	1.2 V	8
UCS-ML-128G4RT-H	128 GB DDR4-2933-MHz LRDIMM/4Rx4	1.2 V	4
UCS-ML-X64G4RT-H	64 GB DDR4-2933-MHz LRDIMM/4Rx4	1.2 V	4
UCS-MR-X64G2RT-H	64 GB DDR4-2933-MHz RDIMM/2Rx4	1.2 V	2
UCS-MR-X32G2RT-H	32GB DDR4-2933-MHz RDIMM/2Rx4	1.2 V	2
UCS-MR-X16G1RT-H	16 GB DDR4-2933-MHz RDIMM/1Rx4	1.2 V	1
Intel® Optane™ Persistent Memory Product			
UCS-MP-128GS-A0	Intel® Optane™ Persistent Memory, 128GB, 2666MHz		
UCS-MP-256GS-A0	Intel® Optane™ Persistent Memory, 256GB, 2666MHz		
UCS-MP-512GS-A0	Intel® Optane™ Persistent Memory, 512GB, 2666MHz		
Memory Mirroring Option			
N01-MMIRROR	Memory mirroring option		

Notes:

1. The UCS-ML-256G8RT-H LRDIMM can be used only with 2nd Generation Intel® Xeon® scalable processor family CPUs, not with Intel® Xeon® scalable processor family CPUs.

Memory Configurations and Modes

DIMM Guidelines



NOTE: For more details on DIMM population and guidelines, see [DIMM Population Rules, page 12](#).

- System speed is dependent on the CPU DIMM speed support. Refer to [Table 1 on page 4](#) for DIMM speeds.
- The C220/C240/B200 M5 servers support three different memory reliability, availability, and serviceability (RAS) modes:
 - Independent Channel Mode
 - Mirrored Channel Mode
 - Lockstep Channel Mode



NOTE: Mixing of Non-Mirrored and Mirrored mode is not allowed.

- Do not mix RDIMMs, LRDIMMs, and TSV-RDIMMs.
- Single-rank DIMMs can be mixed with dual-rank DIMMs in the same channel
- For best performance, observe the following:
 - DIMMs with different timing parameters can be installed on different slots within the same channel, but only timings that support the slowest DIMM will be applied to all. As a consequence, faster DIMMs will be operated at timings supported by the slowest DIMM populated.
 - When one DIMM is used, it must be populated in DIMM slot 1 (farthest away from the CPU) of a given channel.
 - When single- or dual-rank DIMMs are populated for two DIMMs per channel (2DPC), always populate the higher number rank DIMM first (starting from the farthest slot). For example, first populate slot 1 with dual rank DIMMs. Then populate DIMM slot 2 with single-rank DIMMs.
- DIMMs for both CPUs must always be configured identically.
- Cisco memory from previous generation servers (DDR3 and DDR4) is not compatible or supported with the UCS C220/C240/B200 M5 servers.



NOTE: System performance is optimized when the DIMM type and quantity are equal for both CPUs, and when all channels are filled equally across the CPUs in the server.

PMEM Guidelines

- PMEMs require second generation Intel Xeon Scalable Family processors. First generation Xeon Scalable processors do not support PMEMs.
- All installed PMEMs must be the same size. Mixing PMEMs of different capacities is not supported.
- PMEMs and DIMMs must be populated as shown in [Table 2](#) (6 DIMMs per CPU with 2, 4, or 6 PMEMs per CPU, as shown).

Table 2 2nd Generation Intel® Xeon® Scalable Processor DIMM and PMEM¹ Physical Configurations (dual socket)

DIMM to PMEM Count	CPU 1											
	iMC1						iMCO					
	Channel 2		Channel 1		Channel 0		Channel 2		Channel 1		Channel 0	
	F2	F1	E2	E1	D2	D1	C2	C1	B2	B1	A2	A1
6 to 2		DIMM		DIMM	PMEM	DIMM		DIMM		DIMM	PMEM	DIMM
6 to 4		DIMM	PMEM	DIMM	PMEM	DIMM		DIMM	PMEM	DIMM	PMEM	DIMM
6 to 6	PMEM	DIMM	PMEM	DIMM	PMEM	DIMM	PMEM	DIMM	PMEM	DIMM	PMEM	DIMM
DIMM to PMEM Count	CPU 2											
	iMC1						iMCO					
	Channel 2		Channel 1		Channel 0		Channel 2		Channel 1		Channel 0	
	M2	M1	L2	L1	K2	K1	J2	J1	H2	H1	G2	G1
6 to 2		DIMM		DIMM	PMEM	DIMM		DIMM		DIMM	PMEM	DIMM
6 to 4		DIMM	PMEM	DIMM	PMEM	DIMM		DIMM	PMEM	DIMM	PMEM	DIMM
6 to 6	PMEM	DIMM	PMEM	DIMM	PMEM	DIMM	PMEM	DIMM	PMEM	DIMM	PMEM	DIMM

Notes:

1. All systems must be fully populated with two CPUs when using PMEMs at this time.

- Two CPUs must be installed when using PMEMs.
- For Memory Mode and App Direct Mode, install a minimum of 2 PMEMs and 6 DIMMs per CPU
- When either Memory Mode or Mixed Mode is used, the recommended ratio of DIMM capacity to PMEM capacity is between 1:16 and 1:4, and 1:4 achieves the best performance. For example, 6x 16 GB DIMMs + 2x 256 GB PMEMs is a capacity ratio of 1:5.33 (96GB:512GB). In Mixed Mode, the ratio is between memory and only the volatile portion of the PMEMs. This ratio requirement does not apply to App Direct mode. See [Table 3](#) for PMEM memory modes.

Table 3 Intel® Optane™ Persistent Memory Modes

Intel® Optane™ Persistent Memory Modes	
App Direct Mode:	PMEM operates as a solid-state disk storage device. Data is saved and is non-volatile. Both PMEM and DIMM capacity counts towards CPU tiering (both PMEM and DIMM capacities count towards the CPU capacity limit)
Memory Mode: ¹	PMEM operates as a 100% memory module. Data is volatile and DRAM acts as a cache for PMEMs. Only PMEM capacity counts towards CPU tiering (only the PMEM capacity counts towards the CPU capacity limit). This is the factory default mode.
Mix Mode:	DRAM as cache. Only PMEM capacity counts towards CPU tiering (only the PMEM capacity counts towards the CPU capacity limit).

Notes:

1. For Memory Mode, the Intel-recommended DIMM to PMEM capacity ratio in the same CPU socket is from 1:4 to 1:16.

- For each memory channel with both a PMEM and a DIMM installed, the PMEM is installed in channel slot 2 (closest to the CPU) and the DIMM is installed in channel slot 1.
- To maximize performance, balance all memory channels
- In configurations with PMEMs installed, memory mirroring is supported, with two restrictions:
 - Mirroring is only enabled on the DIMMs installed in the server; the PMEMs themselves do not support mirroring.
 - Only App Direct mode is supported. Memory mirroring cannot be enabled when PMEMs are in Memory Mode or Mixed Mode.
- Memory sparing is not supported with PMEMs installed.

For additional information, refer to the following links:

https://www.cisco.com/c/en/us/td/docs/unified_computing/ucs/c/hw/C220M5/install/C220M5/C220M5_chapter_010.html?bookSearch=true#concept_b1k_mbt_tgb

https://www.cisco.com/c/en/us/td/docs/unified_computing/ucs/c/hw/C240M5/install/C240M5/C240M5_chapter_010.html?bookSearch=true#concept_b1k_mbt_tgb

https://www.cisco.com/c/en/us/td/docs/unified_computing/ucs/hw/blade-servers/B200M5/B200M5_chapter_011.html?bookSearch=true#concept_qtr_4xh_zgb

DIMM Memory Mirroring

Memory mirroring is supported only on the DIMMs; PMEMs do not support memory mirroring. When memory mirroring is enabled, the memory subsystem simultaneously writes identical data to two adjacent channels. If a memory read from one of the channels returns incorrect data due to an uncorrectable memory error, the system automatically retrieves the data from the other channel. A transient or soft error in one channel does not affect the mirrored data, and operation continues unless there is a simultaneous error in exactly the same location on a DIMM and its mirrored DIMM. Memory mirroring reduces the amount of memory available to the operating system by 50% because only one of the two populated channels provides data.

CPU DIMM Configuration Without Memory Mirroring

Select from 1, 2, 3, 4, 6, 8, or 12 DIMMs per CPU (DIMMs for both CPUs must be configured identically). The DIMMs will be placed by the factory as shown in the following tables.

CPU 1 DIMM Placement in Channels (for identically ranked DIMMs)	
1	(A1)
2	(A1, B1)
3	(A1, B1, C1)
4	(A1, B1); (D1, E1)
6	(A1, B1); (C1, D1); (E1, F1)
8	(A1, B1); (D1, E1); (A2, B2); (D2, E2)
12	(A1, B1); (C1, D1); (E1, F1); (A2, B2); (C2, D2); (E2, F2)

CPU 2 DIMM Placement in Channels (for identically ranked DIMMs)	
1	(G1)
2	(G1, H1)
3	(G1, H1, J1)
4	(G1, H1); (K1, L1)
6	(G1, H1); (J1, K1); (L1, M1)
8	(G1, H1); (K1, L1); (G2, H2); (K2, L2)
12	(G1, H1); (J1, K1); (L1, M1); (G2, H2); (J2, K2); (L2, M2)

CPU DIMM Configuration With Memory Mirroring

Select from 4, 6, 8, or 12 DIMMs per CPU (DIMMs for all four CPUs must be configured identically). In addition, the memory mirroring option (N01-MMIRROR) as shown in [Table 1 on page 4](#) must be selected.

The DIMMs will be placed by the factory as shown in the following tables.

# DIMMS	CPU 1 DIMM Placement in Channels (for identical ranked DIMMs)	CPU 2 DIMM Placement in Channels (for identical ranked DIMMs)
	CPU 1	CPU 2
8	(A1,B1); (D1,E1)	(G1, H1); (K1, L1)
12	(A1, B1, C1); (D1, E1, F1)	(G1, H1, J1); (K1, L1, M1)
16	(A1, A2, B1, B2); (D1, D2, E1, E2)	(G1, G2, H1, H2); (K1, K2, L1, L2)
24	(A1, A2, B1, B2, C1, C2); (D1, D2, E1, E2, F1, F2)	(G1, G2, H1, H2, J1, J2); (K1, K2, L1, L2, M1, M2)



NOTE: System performance is optimized when the DIMM type and quantity are equal for both CPUs, and when all channels are filled equally across the CPUs in the server.

System Speeds

System speed is dependent on how many DIMMs are populated per channel and the CPU DIMM speed support. See [Table 4](#) for details.

Table 4 2666-MHz DIMM Memory Speeds with Different Intel® Xeon® Scalable Processors

DIMM and CPU Frequencies (MHz)	DPC	TSV-RDIMM (8Rx4) - 128 GB (MHz)	TSV-RDIMM (4Rx4) - 64 GB (MHz)	LRDIMM (4Rx4) - 64 GB (MHz)	RDIMM (2Rx4) - 32 GB (MHz)	LRDIMM (2Rx4) - 32 GB (MHz)	RDIMM (1Rx4) - 16 GB (MHz)
		1.2 V	1.2 V	1.2 V	1.2 V	1.2 V	1.2 V
DIMM = 2666 CPU = 2666	1DPC	2666	2666	2666	2666	2666	2666
	2DPC	2666	2666	2666	2666	2666	2666
DIMM = 2666 CPU = 2400	1DPC	2400	2400	2400	2400	2400	2400
	2DPC	2400	2400	2400	2400	2400	2400
DIMM = 2666 CPU = 2133	1DPC	2133	2133	2133	2133	2133	2133
	2DPC	2133	2133	2133	2133	2133	2133

Table 5 2933-MHz DIMM Memory Speeds with Different 2nd Generation Intel®Xeon® Scalable Processors

DIMM and CPU Frequencies (MHz)	DPC	LRDIMM (4Rx4)- 128 GB (MHz)	LRDIMM (4Rx4) - 64 GB (MHz)	RDIMM (2Rx4) - 64 GB (MHz)	RDIMM (2Rx4) - 32 GB (MHz)	RDIMM (1Rx4) - 16 GB (MHz)
		1.2 V	1.2 V	1.2 V	1.2 V	1.2 V
DIMM = 2933 CPU = 2933	1DPC	2933	2933	2933	2933	2933
	2DPC	2933	2933	2933	2933	2933
DIMM = 2933 CPU = 2666	1DPC	2666	2666	2666	2666	2666
	2DPC	2666	2666	2666	2666	2666
DIMM = 2933 CPU = 2400	1DPC	2400	2400	2400	2400	2400
	2DPC	2400	2400	2400	2400	2400
DIMM = 2933 CPU = 2133	1DPC	2133	2133	2133	2133	2133
	2DPC	2133	2133	2133	2133	2133

Physical Layout

Each CPU has six DIMM channels:

- CPU1 has channels A, B, C, D, E, and F
- CPU2 has channels G, H, J, K, L, and M

Each DIMM channel has two slots: slot 1 and slot 2. The blue-colored DIMM slots are for slot 1 and the black slots for slot 2.

As an example, DIMM slots A1, B1, C1, D1, E1, and F1 belong to slot 1, while A2, B2, C2, D2, E2, and F2 belong to slot 2.

Figure 2 and *Figure 3* show how slots and channels are physically laid out on the motherboards for the servers. Channels A, B, C, D, E, and F are associated with CPU 1, while channels G, H, J, K, L, and M are associated with CPU 2. The slot 1 (blue) DIMM slots are always located farther away from a CPU than the corresponding slot 2 (black) slots. Slot 1 slots (blue) are populated before slot 2 slots (black).

Figure 2 Physical Layout of C220/C240 M5 CPU DIMM Channels and Slots

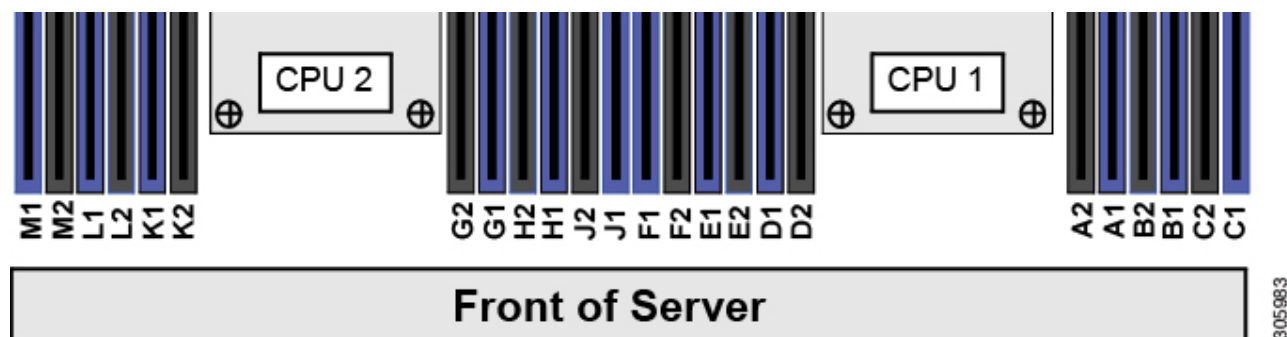
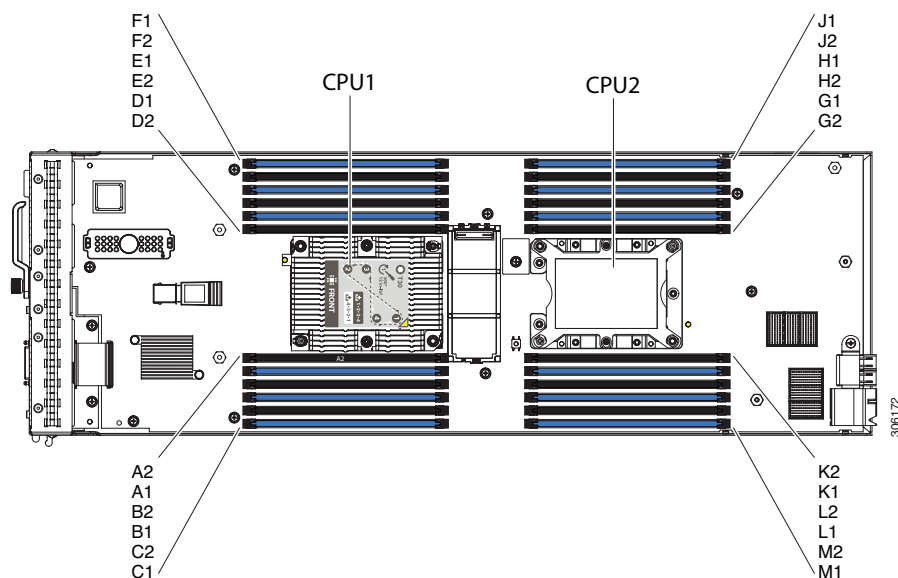


Figure 3 Physical Layout of B200 M5 CPU DIMM Channels and Slots



DIMM Population Rules

When considering the memory configuration of your server, consider the following items:

- Each channel has two DIMM slots (for example, channel A = slots A1 and A2).
 - A channel can operate with one or two DIMMs installed.
 - If a channel has only one DIMM, populate slot 1 first (the blue slot).
- When both CPUs are installed, populate the DIMM slots of each CPU identically.
 - For 1, 2, 3, 4, and 6 DIMMs per socket configurations, fill the blue slots (slot 1) in the memory channels as per recommended DIMM populations in [DIMM Population Order, page 14](#).
 - For 8 and 12 DIMMs per socket configurations, fill the blue slots (slot 1) and black slots (slot 2) as per recommended DIMM populations in [DIMM Population Order, page 14](#).
 - Refer to [DIMM Population Order, page 14](#) for more details.
- For best memory performance, use identical DIMM types within a server (same speed, size and ranks).
- For optimum performance, populate at least one DIMM per memory channel per CPU.
- When populating DIMM slots for optimal performance, multiples of 12 DIMMs are best because there are 6 memory channels per CPU socket and 2 CPUs must be populated.
- For populations of 1 DIMM per channel (1DPC) and 2DPC, with Intel Xeon scalable processors, all supported DIMMs on Cisco UCS M5 servers run at their labeled speed provided the processor supports that speed.
- At the same memory speed, 2 DPC may perform slightly better than 1 DPC for RDIMMs (workload dependent).
- For optimum performance, use dual rank RDIMMs preferably, then single rank RDIMMs, and last TSV RDIMMs or LRDIMMs. Larger size LRDIMMs and TSV DIMMs provide large capacity memory configurations but the performance of these DIMMs is lower than standard RDIMMs.
- For small to medium memory capacities, whenever possible, install dual rank RDIMMs for optimal performance. Dual rank RDIMMs perform better than single rank RDIMMs. Single rank DIMMs limit the performance of memory-intensive workloads in 1 DIMM per channel configurations.
- For applications requiring larger memory capacities, use 64 GB LRDIMMs or 64 GB TSV RDIMMs. At 1DPC, 64 GB LRDIMMs outperform 64 GB TSV DIMMs. However, at 2DPC the performance of 64 GB LRDIMMs and 64 GB TSV RDIMMs is similar except for latency. At 2DPC, 64 GB TSV DIMMs have better latency than 64 GB LRDIMMs.
- For applications requiring larger memory configuration, if there is a possibility of expanding the memory size in the future, use TSV RDIMMs. 64 GB TSV RDIMMs can be mixed with 128 GB TSV DIMMs if needed.
- 128GB RDIMMs should be used for the largest memory capacity requirement (up to 3 TB for a 2 socket server). These DIMMs provide the maximum memory size supported for 2 socket UCS M5 servers based on Intel Xeon scalable processors.

- When mixing DIMMs, the following rules must be followed:
 - RDIMMs cannot be mixed with LRDIMMs.
 - RDIMMs of different sizes can be mixed within a channel. When mixing RDIMMs of different densities (sizes), populate DIMMs with the highest density first. For example, if you have to mix 32 GB RDIMMs with 16 GB RDIMMs, then populate the 32 GB DIMMs in blue slots (or slot 1) and then 16 GB DIMMs in black slots (or slot 2).
 - RDIMMs of different ranks can be mixed within a channel. When mixing RDIMMs with different ranks, populate RDIMMs with the higher rank first. For example, when mixing dual-rank RDIMMs with single-rank RDIMMs populate the dual-rank RDIMMs in blue slots first and then single-rank RDIMMs in black slots.
 - 64 GB 2933-MHz LRDIMMs can only be mixed with 128 GB 2933-MHz LRDIMMs.
 - 2666-MHz TSV RDIMMs cannot be mixed with standard RDIMMs. For example, 64 GB 2666-MHz TSV RDIMMs cannot be mixed with 32 GB 2666-MHz RDIMMs.
 - TSV RDIMMs cannot be mixed with LRDIMMs. For example, 128 GB 2666-MHz TSV RDIMMs cannot be mixed with 64 GB 2666-MHz LRDIMMs.
 - 64 GB 2666-MHz TSV RDIMMs can only be mixed with 128 GB 2666-MHz TSV RDIMMs.
 - 64 GB 2666-MHz LRDIMMs can only be mixed with 32 GB 2666-MHz LRDIMMs.
- Any DIMM installed in a DIMM socket for which the CPU is absent is not recognized.
- Observe the DIMM mixing rules shown in [Table 6](#)

Table 6 DIMM Rules for C220, C240, B200 M5 Servers

DIMM Parameter	DIMMs in the Same Channel	DIMM in the Same Slot ¹
<u>DIMM Capacity</u> RDIMM = 16, 32, 64, 128 GB LRDIMM = 64 GB, 128 GB TSV-RDIMM = 64 GB, 128GB	DIMMs in the same channel (for example, A1 and A2) can have different capacities. Do not mix TSV-RDIMMS with LRDIMMs nor RDIMMs	For best performance, DIMMs in the same slot (for example, A1, B1, C1, D1, E1, F1) should have the same capacity. Do not mix TSV-RDIMMS with LRDIMMs nor RDIMMs
<u>DIMM Speed</u> 2666-MHz or 2933-MHz	DIMMs will run at the lowest speed of the CPU installed	DIMMs will run at the lowest speed of the CPU installed
<u>DIMM Type</u> TSV-RDIMMS, RDIMMs, or LRDIMMs	Do not mix DIMM types in a channel	Do not mix DIMM types in a slot

Notes:

1. Although different DIMM capacities can exist in the same slot, this will result in less than optimal performance. For optimal performance, all DIMMs in the same slot should be identical.

DIMM Population Order

Populate the DIMMs for a CPU according to [Table 7](#). There are many possible DIMM populations; however, the populations shown in the table provide consistent, stable results.

Table 7 C220, C240, B200 M5 DIMM Population Order

	Populate CPU1 Slot		Populate CPU2 Slot	
	Blue Slots	Black slots	Blue slots	Black slots
1	(A1)	-	(G1)	-
2	(A1, B1)	-	(G1, H1)	-
3	(A1, B1, C1)	-	(G1, H1, J1)	-
4	(A1,B1); (D1,E1)	-	(G1,H1); (K1,L1)	-
6	(A1,B1); (C1,D1); (E1, F1)	-	(G1,H1); (J1,K1); (L1, M1)	-
8	(A1,B1); (D1,E1)	(A2,B2); (D2,E2)	(G1,H1); (K1,L1)	(G2,H2); (K2,L2)
12	(A1,B1); (C1,D1); (E1, F1)	(A2,B2); (C2,D2); (E2, F2)	(G1, H1); (J1, K1); (L1, M1)	(G2,H2); (J2,K2); (L2,M2)



NOTE: 5, 7, 9, 10, 11 DIMMs per CPU is not recommended.

- The maximum combined memory allowed in the 12 DIMM slots controlled by any one CPU is 768 GB. To populate the 12 DIMM slots with more than 768 GB of combined memory, you must use a high-memory CPU that has a PID that ends with an “M”, for example, UCS-CPU-6134M.
- All DIMMs must be DDR4 DIMMs that support ECC. Non-buffered UDIMMs and non-ECC DIMMs are not supported.
- Memory mirroring reduces the amount of memory available by 50 percent because only one of the two populated channels provides data. When memory mirroring is enabled, you must install DIMMs in even numbers of channels.
- NVIDIA M-Series GPUs can support only less than 1 TB memory in the server.
- NVIDIA P-Series GPUs can support 1 TB or more memory in the server.
- AMD FirePro S7150 X2 GPUs can support only less than 1 TB memory in the server.

Recommended DIMM Configurations

This section explains the recommended DIMM population order rules for best performance.

- All DIMMs must be DDR4 DIMMs.
- Do not mix:
 - DIMMs with different clock rates in a channel
 - RDIMMs and LRDIMMs or TSV-RDIMMs with any other DIMMs
- There are blue and black DIMM slots. Populate blue slots first.
- When DIMMs ranks are mixed in the same channel, always populate the highest rank DIMM in the blue DIMM slot and lower rank DIMM(s) in the black DIMM slots.
- [Table 8](#) shows the recommended configurations for 2nd Generation Intel Xeon Scalable Processors and [Table 9](#) shows the recommended configurations for Intel Xeon Scalable Processors. The rows highlighted in yellow indicate configurations with optimum performance.

Table 8 Recommended Memory Configurations for 2nd Generation Intel Xeon Scalable Processors

Total System Memory Size	CPU-1		CPU-2		DIMM Type	Total DIMMs in the system
	Blue Slots	Black Slots	Blue Slots	Black Slots		
	Bank 1	Bank 2	Bank 1	Bank 2		
	(A1, B1, C1, D1, E1, F1)	(A2, B2, C2, D2, E2, F2)	(G1, H1, J1, K1, L1, M1)	(G2, H2, J2, K2, L2, M2)		
192 GB	6x16 GB	-	6x16 GB	-	R	12
384 GB	6x16 GB	6x16 GB	6x16 GB	6x16 GB	R	24
384 GB	6x32 GB	-	6x32 GB	-	R	12
576 GB	6x32 GB	6x16 GB	6x32 GB	6x16 GB	R	24
768 GB	6x32 GB	6x32 GB	6x32 GB	6x32 GB	R	24
768 GB	6x64 GB	-	6x64 GB	-	R	12
768 GB	6x64 GB	-	6x64 GB	-	LR	12
1152 GB	6x64 GB	6x32 GB	6x64 GB	6x32 GB	R	24
1536 GB	6x64 GB	6x64 GB	6x64 GB	6x64 GB	R	24
1536 GB	6x64 GB	6x64 GB	6x64 GB	6x64 GB	LR	24
1536 GB	6x128 GB	-	6x128 GB	-	LR	12
2304 GB	6x128 GB	6x64 GB	6x128 GB	6x64 GB	LR	24
3072 GB	6x128 GB	6x128 GB	6x128 GB	6x128 GB	LR	24
3072 GB	6x256 GB	-	6x256 GB	-	LR	12
6144 GB	6x256 GB	6x256 GB	6x256 GB	6x256 GB	LR	24

Table 9 Recommended Memory Configurations for Intel Xeon Scalable Processors

Total System Memory Size	CPU-1		CPU-2		DIMM Type	Total DIMMs in the system
	Blue Slots	Black Slots	Blue Slots	Black Slots		
	Bank 1	Bank 2	Bank 1	Bank 2		
	(A1, B1, C1, D1, E1, F1)	(A2, B2, C2, D2, E2, F2)	(G1, H1, J1, K1, L1, M1)	(G2, H2, J2, K2, L2, M2)		
192 GB	6x16 GB	-	6x16 GB	-	R	12
384 GB	6x16 GB	6x16 GB	6x16 GB	6x16 GB	R	24
384 GB	6x32 GB	-	6x32 GB	-	R	12
384 GB	6x32 GB	-	6x32 GB	-	LR	12
576 GB	6x32 GB	6x16 GB	6x32 GB	6x16 GB	R	24
768 GB	6x32 GB	6x32 GB	6x32 GB	6x32 GB	R	24
768 GB	6x32 GB	6x32 GB	6x32 GB	6x32 GB	LR	24
768 GB	6x64 GB	-	6x64 GB	-	LR	12
768 GB	6x64 GB	-	6x64 GB	-	TSV-R	12
1152 GB	6x64 GB	6x32 GB	6x64 GB	6x32 GB	LR	24
1536 GB	6x64 GB	6x64 GB	6x64 GB	6x64 GB	LR	24
1536 GB	6x64 GB	6x64 GB	6x64 GB	6x64 GB	TSV-R	24
1536 GB	6x128 GB	-	6x128 GB	-	TSV-R	12
2304 GB	6x128 GB	6x64 GB	6x128 GB	6x64 GB	TSV-R	24
3072 GB	6x128 GB	6x128 GB	6x128 GB	6x128 GB	TSV-R	24

Supported DIMM Configurations

[Table 10](#) and [Table 11](#) below show some (not all) of the alternative DIMM configurations for configurations with 1, 2, 3, 4 and 8 DIMMs per socket. These lower DIMM counts per socket may not have the same amount of memory bandwidth and overall memory performance as in the recommended configurations shown in [Table 8](#) and [Table 9](#).

[Table 10](#) shows some alternative supported configurations for 2nd Generation Intel Xeon Scalable Processors and [Table 11](#) shows some alternative supported configurations for Intel Xeon Scalable Processors

Table 10 Supported Memory Configurations for 2nd Generation Intel Xeon Scalable Processors

Total System Memory Size	CPU-1		CPU-2		DIMM Type	Total DIMMs in the system
	Blue Slots	Black Slots	Blue Slots	Black Slots		
	Bank 1	Bank 2	Bank 1	Bank 2		
	(A1, B1, C1, D1, E1, F1)	(A2, B2, C2, D2, E2, F2)	(G1, H1, J1, K1, L1, M1)	(G2, H2, J2, K2, L2, M2)		
32 GB	1x16 GB	-	1x16 GB	-	R	2
64 GB	2x16 GB	-	2x16 GB	-	R	4
64 GB	1x32 GB	-	1x32 GB	-	R	2
96 GB	3x16 GB	-	3x16 GB	-	R	6
128 GB	4x16 GB	-	4x16 GB	-	R	8
128 GB	2x32 GB	-	2x32 GB	-	R	4
128 GB	1x64 GB	-	1x64 GB	-	LR	2
128 GB	1x64 GB	-	1x64 GB	-	R	2
192 GB	3x32 GB	-	3x32 GB	-	R	6
256 GB	4x16 GB	4x16 GB	4x16 GB	4x16 GB	R	16
256 GB	4x32 GB	-	4x32 GB	-	R	8
256 GB	2x64 GB	-	2x64 GB	-	LR	4
256 GB	2x64 GB	-	2x64 GB	-	R	4
256 GB	1x128 GB	-	1x128 GB	-	LR	2
384 GB	3x64 GB	-	3x64 GB	-	LR	6
384 GB	3x64 GB	-	3x64 GB	-	R	6
512 GB	4x32 GB	4x32 GB	4x32 GB	4x32 GB	R	16
512 GB	4x64 GB	-	4x64 GB	-	LR	8

Table 10 Supported Memory Configurations for 2nd Generation Intel Xeon Scalable Processors

Total System Memory Size	CPU-1		CPU-2		DIMM Type	Total DIMMs in the system
	Blue Slots	Black Slots	Blue Slots	Black Slots		
	Bank 1	Bank 2	Bank 1	Bank 2		
	(A1, B1, C1, D1, E1, F1)	(A2, B2, C2, D2, E2, F2)	(G1, H1, J1, K1, L1, M1)	(G2, H2, J2, K2, L2, M2)		
512 GB	4x64 GB	-	4x64 GB	-	R	8
512 GB	2x128 GB	-	2x128 GBGB	-	LR	4
768 GB	3x128 GB	-	3x128 GB	-	LR	6
1024 GB	4x64 GB	4x64 GB	4x64 GB	4x64 GB	LR	16
1024 GB	4x64 GB	4x64 GB	4x64 GB	4x64 GB	R	16
1024 GB	4x128 GB	-	4x128 GB	-	LR	8
2048 GB	4x128 GB	4x128 GB	4x128 GB	4x128 GB	LR	16

Table 11 Supported Memory Configurations for Intel Xeon Scalable Processors

Total System Memory Size	CPU-1		CPU-2		DIMM Type	Total DIMMs in the system
	Blue Slots	Black Slots	Blue Slots	Black Slots		
	Bank 1	Bank 2	Bank 1	Bank 2		
	(A1, B1, C1, D1, E1, F1)	(A2, B2, C2, D2, E2, F2)	(G1, H1, J1, K1, L1, M1)	(G2, H2, J2, K2, L2, M2)		
32 GB	1x16 GB	-	1x16 GB	-	R	2
64 GB	2x16 GB	-	2x16 GB	-	R	4
64 GB	1x32 GB	-	1x32 GB	-	R	2
64 GB	1x32 GB	-	1x32 GB	-	LR	2
96 GB	3x16 GB	-	3x16 GB	-	R	6
128 GB	4x16 GB	-	4x16 GB	-	R	8
128 GB	2x32 GB	-	2x32 GB	-	R	4
128 GB	2x32 GB	-	2x32 GB	-	LR	4
128 GB	1x64 GB	-	1x64 GB	-	LR	2
128 GB	1x64 GB	-	1x64 GB	-	TSV-R	2
192 GB	3x32 GB	-	3x32 GB	-	R	6

Table 11 Supported Memory Configurations for Intel Xeon Scalable Processors (*continued*)

Total System Memory Size	CPU-1		CPU-2		DIMM Type	Total DIMMs in the system
	Blue Slots	Black Slots	Blue Slots	Black Slots		
	Bank 1	Bank 2	Bank 1	Bank 2		
	(A1, B1, C1, D1, E1, F1)	(A2, B2, C2, D2, E2, F2)	(G1, H1, J1, K1, L1, M1)	(G2, H2, J2, K2, L2, M2)		
192 GB	3x32 GB	-	3x32 GB	-	LR	6
256 GB	4x16 GB	4x16 GB	4x16 GB	4x16	R	16
256 GB	4x32 GB	-	4x32 GB	-	R	8
256 GB	4x32 GB	-	4x32 GB	-	LR	8
256 GB	2x64 GB	-	2x64 GB	-	LR	4
256 GB	2x64 GB	-	2x64 GB	-	TSV-R	4
256 GB	1x128 GB	-	1x128 GB	-	TSV-R	2
384 GB	3x64 GB	-	3x64 GB	-	LR	6
384 GB	3x64 GB	-	3x64 GB	-	TSV-R	6
512 GB	4x32 GB	4x32 GB	4x32 GB	4x32 GB	R	16
512 GB	4x32 GB	4x32 GB	4x32 GB	4x32 GB	LR	16
512 GB	4x64 GB	-	4x64 GB	-	LR	8
512 GB	4x64 GB	-	4x64 GB	-	TSV-R	8
512 GB	2x128 GB	-	2x128 GB	-	TSV-R	4
768 GB	3x128 GB	-	3x128 GB	-	TSV-R	6
1024 GB	4x64 GB	4x64 GB	4x64 GB	4x64 GB	LR	16
1024 GB	4x64 GB	4x64 GB	4x64 GB	4x64 GB	TSV-R	16
1024 GB	4x128 GB	-	4x128 GB	-	TSV-R	8
2048 GB	4x128 GB	4x128 GB	4x128 GB	4x128 GB	TSV-R	16

Memory Capacities for CPU Classes

This following material describes the configurable memory capacities using DIMMs and PMEMs for various classes of 2nd Generation Intel® Xeon® Scalable Processors and Intel® Xeon® Scalable Processors used in C220/C240/B200 M5 servers.

All DIMM Configurations

This section describes the memory capacities for configurations that use all DIMMs.

All DIMM Configurations for 2nd Generation Intel® Xeon® Scalable Processors

Table 12 through *Table 14* show the possible configurations for 2nd Generation Intel® Xeon® Scalable Processors populated with all DIMMs.

Table 12 2nd Gen “M” CPUs With All DIMM Memory (4, 6, 8, or 12 DIMMs per CPU)¹

Number of DIMMs per CPU	Capacity Per DIMM (GB)				
	16	32	64	128	256
	Total Capacity per CPU (GB)				
4	64	128	256	512	1024
6	96	192	384	768	1536
8	128	256	512	1024	2048
12	192	384	768	1536	N/A

Notes:

1. Total DIM M capacity for 2nd Gen “M” CPUs cannot exceed 2048 GB



NOTE: The cells marked with N/A indicate a memory capacity that would be more than the allowable 2048 GB and therefore cannot be configured.

Table 13 2nd Gen “L” CPUs With All DIMM Memory (4, 6, 8, or 12 DIMMs per CPU)¹

Number of DIMMs per CPU	Capacity Per DIMM (GB)				
	16	32	64	128	256
	Total Capacity per CPU (GB)				
4	64	128	256	512	1024
6	96	192	384	768	1536
8	128	256	512	1024	2048
12	192	384	768	1536	3072

Notes:

1. Total DIM M capacity for 2nd Gen “L” CPUs cannot exceed 3072 GB

Table 14 2nd Gen non-“M” and non-“L” CPU All DIMM Memory (4, 6, 8, or 12 DIMMs per CPU)¹

Number of DIMMs per CPU	Capacity Per DIMM (GB)				
	16	32	64	128	256
	Total Capacity per CPU (GB)				
4	64	128	256	512	1024
6	96	192	384	768	N/A
8	128	256	512	1024	N/A
12	192	384	768	N/A	N/A

Notes:

1. Total DIM M capacity for 2nd Gen non-“M” and non-“L” CPUs cannot exceed 1024 GB



NOTE: The cells marked with N/A indicate a memory capacity that would be more than the allowable 1024 GB and therefore cannot be configured.

All DIMM Configurations for Intel® Xeon® Scalable Processors

Table 15 and *Table 16* show the possible configurations for Intel® Xeon® Scalable Processors populated with all DIMMs.



NOTE: Intel® Xeon® Scalable Processors do not support PMEMs and do not support 256 GB DIMMs.

Table 15 Regular “M” CPU All DIMM Memory (4, 6, 8, or 12 DIMMs per CPU)

Number of DIMMs per CPU	Capacity Per DIMM (GB)			
	16	32	64	128
	Total Capacity per CPU (GB)			
4	64	128	256	512
6	96	192	384	768
8	128	256	512	1024
12	192	384	768	1536

Table 16 Regular non-“M” CPU All DIMM Memory (4, 6, 8, or 12 DIMMs per CPU)¹

Number of DIMMs per CPU	Capacity Per DIMM (GB)			
	16	32	64	128
	Total Capacity per CPU (GB)			
4	64	128	256	512
6	96	192	384	768
8	128	256	512	N/A
12	192	384	768	N/A

Notes:

1. Total DIM M capacity for regular non-“M” CPUs cannot exceed 768 GB



NOTE: The cells marked with N/A indicate a memory capacity that would be more than the allowable 768 GB and therefore cannot be configured.

Mixed DIMM/PMEM Configurations

This section describes the memory capacities for configurations that use a combination of DIMMs and PMEMs.

DIMM/PMEM Configurations for 2nd Generation Intel® Xeon® Scalable Processors

Table 17, *Table 18*, and *Table 19* show the possible configurations for 2nd Generation Intel® Xeon® Scalable Processors populated with combinations of DIMMs and PMEMs. When PMEMs are selected, there must be 6 DIMMs per CPU and can be 2, 4, or 6 PMEMs per CPU, depending on CPU class (“M”, “L”, or regular class) and PMEM capacity. Selection of PMEMs also requires that all CPUs be fully populated. The tables below show configurations for 1 CPU. For Memory Mode and Mixed Memory Mode, the Intel-recommended DIMM to PMEM capacity ratio for the same CPU is from 1:4 to 1:16. The green-shaded cells of the table indicate ratios within that range, while the red-shaded portions indicate ratios outside that range. For App Direct Mode, the ratio requirement does not apply.

For 2nd Generation Intel® Xeon® Scalable Processors:

- DIMMs and PMEMs are supported
- CPU PIDs ending in “M” support up to a limit of 2048 GB per CPU
- CPU PIDs ending in “L” support up to a limit of 4608 GB per CPU
- All other CPU PIDs support up to a limit of 1024 GB per CPU
- For the App Direct Mode, both PMEM and DIMM capacities count towards the CPU capacity limit
- For the Memory Mode and Mixed Mode only the PMEM capacity counts towards the CPU capacity limit. DIMMs are used for cache only and do not counts toward the CPU capacity limit.

App Direct Mode

The following tables apply to the App Direct Mode. For App Direct Mode, the DIMM to PMEM ratio requirement does not apply.

Table 17 2nd Gen “M” CPU DIMM/PMEM Memory (6 DIMMs per CPU, and 2, 4, or 6 PMEMs per CPU)

Number of DIMMs ¹ /PMEMs per CPU					
Capacity Per DIMM(GB) x 6 DIMMs	16 x6	32 x6	64 x6	128 x6	256 x6
Total DIMM Capacity (GB)	96	192	384	768	1536
Capacity Per PMEM(GB) x 2 PMEMs	128 x2	128 x2	128 x2	128 x2	128 x2
Total PMEM Capacity (GB)	256	256	256	256	256
Total Capacity per CPU	352	448	640	1024	1792
<hr/>					
Capacity Per DIMM(GB) x 6 DIMMs	16 x6	32 x6	64 x6	128 x6	256 x6
Total DIMM Capacity (GB)	96	192	384	768	1536
Capacity Per PMEM(GB) x 2 PMEMs	256 x2	256 x2	256 x2	256 x2	256 x2
Total PMEM Capacity (GB)	512	512	512	512	512
Total Capacity per CPU	608	704	896	1280	2048
<hr/>					
Capacity Per DIMM(GB) x 6 DIMMs	16 x6	32 x6	64 x6	128 x6	256 x6
Total DIMM Capacity (GB)	96	192	384	768	1536
Capacity Per PMEM(GB) x 2 PMEMs	512 x2	512 x2	512 x2	512 x2	512 x2
Total PMEM Capacity (GB)	1024	1024	1024	1024	N/A
Total Capacity per CPU	1120	1216	1408	1792	N/A
<hr/>					
Capacity Per DIMM(GB) x 6 DIMMs	16 x6	32 x6	64 x6	128 x6	256 x6
Total DIMM Capacity (GB)	96	192	384	768	1536
Capacity Per PMEM(GB) x 4 PMEMs	128 x4	128 x4	128 x4	128 x4	128 x4
Total PMEM Capacity (GB)	512	512	512	512	512
Total Capacity per CPU	608	704	896	1280	2048
<hr/>					
Capacity Per DIMM(GB) x 6 DIMMs	16 x6	32 x6	64 x6	128 x6	256 x6
Total DIMM Capacity (GB)	96	192	384	768	1536
Capacity Per PMEM(GB) x 4 PMEMs	256 x4	256 x4	256 x4	256 x4	256 x4
Total PMEM Capacity (GB)	1024	1024	1024	1024	N/A
Total Capacity per CPU	1120	1216	1408	1792	N/A

Table 17 2nd Gen “M” CPU DIMM/PMEM Memory (6 DIMMs per CPU, and 2, 4, or 6 PMEMs per CPU)

Number of DIMMs ¹ /PMEMs per CPU					
Capacity Per DIMM(GB) x 6 DIMMs	16 x6	32 x6	64 x6	128 x6	256 x6
Total DIMM Capacity (GB)	N/A	N/A	N/A	N/A	N/A
Capacity Per PMEM(GB) x 4 PMEMs	512 x4	512 x4	512 x4	512 x4	512 x4
Total PMEM Capacity (GB)	N/A	N/A	N/A	N/A	N/A
Total Capacity per CPU	N/A	N/A	N/A	N/A	N/A
<hr/>					
Capacity Per DIMM(GB) x 6 DIMMs	16 x6	32 x6	64 x6	128 x6	256 x6
Total DIMM Capacity (GB)	96	192	384	768	N/A
Capacity Per PMEM(GB) x 6 PMEMs	128 x6	128 x6	128 x6	128 x6	128 x6
Total PMEM Capacity (GB)	768	768	768	768	N/A
Total Capacity per CPU	864	960	1152	1536	N/A
<hr/>					
Capacity Per DIMM(GB) x 6 DIMMs	16 x6	32 x6	64 x6	128 x6	256 x6
Total DIMM Capacity (GB)	96	192	384	768	N/A
Capacity Per PMEM(GB) x 6 PMEMs	256 x6	256 x6	256 x6	256 x6	N/A
Total PMEM Capacity (GB)	1536	1536	1536	1536	N/A
Total Capacity per CPU	1632	1728	1920	N/A	N/A
<hr/>					
Capacity Per DIMM(GB) x 6 DIMMs	16 x6	32 x6	64 x6	128 x6	256 x6
Total DIMM Capacity (GB)	N/A	N/A	N/A	N/A	N/A
Capacity Per PMEM(GB) x 2 PMEMs	512 x2	512 x2	512 x2	512 x2	512 x2
Total PMEM Capacity (GB)	N/A	N/A	N/A	N/A	N/A
Total Capacity per CPU	N/A	N/A	N/A	N/A	N/A

Notes:

1. If PMEMs are selected, 6 DIMMs per CPU must also be selected



NOTE: The cells marked with N/A indicate a memory capacity that would be more than the allowable 2048 GB and therefore cannot be configured.

Table 18 2nd Gen “L” CPU DIMM/PMEM Memory (6 DIMMs per CPU, and 2, 4, or 6 PMEMs per CPU)

Number of DIMMs ¹ /PMEMs per CPU					
Capacity Per DIMM(GB) x 6 DIMMs	16 x6	32 x6	64 x6	128 x6	256 x6
Total DIMM Capacity (GB)	96	192	384	768	1536
Capacity Per PMEM(GB) x 2 PMEMs	128 x2	128 x2	128 x2	128 x2	128 x2
Total PMEM Capacity (GB)	256	256	256	256	256
Total Capacity per CPU	352	448	640	1024	1792
<hr/>					
Capacity Per DIMM(GB) x 6 DIMMs	16 x6	32 x6	64 x6	128 x6	256 x6
Total DIMM Capacity (GB)	96	192	384	768	1536
Capacity Per PMEM(GB) x 2 PMEMs	256 x2	256 x2	256 x2	256 x2	256 x2
Total PMEM Capacity (GB)	512	512	512	512	512
Total Capacity per CPU	608	704	896	1280	2048
<hr/>					
Capacity Per DIMM(GB) x 6 DIMMs	16 x6	32 x6	64 x6	128 x6	256 x6
Total DIMM Capacity (GB)	96	192	384	768	1536
Capacity Per PMEM(GB) x 2 PMEMs	512 x2	512 x2	512 x2	512 x2	512 x2
Total PMEM Capacity (GB)	1024	1024	1024	1024	1024
Total Capacity per CPU	1120	1216	1408	1792	2560
<hr/>					
Capacity Per DIMM(GB) x 6 DIMMs	16 x6	32 x6	64 x6	128 x6	256 x6
Total DIMM Capacity (GB)	96	192	384	768	1536
Capacity Per PMEM(GB) x 4 PMEMs	128 x4	128 x4	128 x4	128 x4	128 x4
Total PMEM Capacity (GB)	512	512	512	512	512
Total Capacity per CPU	608	704	896	1280	2048
<hr/>					
Capacity Per DIMM(GB) x 6 DIMMs	16 x6	32 x6	64 x6	128 x6	256 x6
Total DIMM Capacity (GB)	96	192	384	768	1536
Capacity Per PMEM(GB) x 4 PMEMs	256 x4	256 x4	256 x4	256 x4	256 x4
Total PMEM Capacity (GB)	1024	1024	1024	1024	1024
Total Capacity per CPU	1120	1216	1408	1792	2560

Table 18 2nd Gen “L” CPU DIMM/PMEM Memory (6 DIMMs per CPU, and 2, 4, or 6 PMEMs per CPU)

Number of DIMMs ¹ /PMEMs per CPU					
Capacity Per DIMM(GB) x 6 DIMMs	16 x6	32 x6	64 x6	128 x6	256 x6
Total DIMM Capacity (GB)	96	192	384	768	1536
Capacity Per PMEM(GB) x 4 PMEMs	512 x4	512 x4	512 x4	512 x4	512 x4
Total PMEM Capacity (GB)	2048	2048	2048	2048	2048
Total Capacity per CPU	2144	2240	2432	2816	3584
<hr/>					
Capacity Per DIMM(GB) x 6 DIMMs	16 x6	32 x6	64 x6	128 x6	256 x6
Total DIMM Capacity (GB)	96	192	384	768	1536
Capacity Per PMEM(GB) x 6 PMEMs	128 x6	128 x6	128 x6	128 x6	128 x6
Total PMEM Capacity (GB)	768	768	768	768	768
Total Capacity per CPU	864	960	1152	1536	2304
<hr/>					
Capacity Per DIMM(GB) x 6 DIMMs	16 x6	32 x6	64 x6	128 x6	256 x6
Total DIMM Capacity (GB)	96	192	384	768	1536
Capacity Per PMEM(GB) x 6 PMEMs	256 x6	256 x6	256 x6	256 x6	256 x6
Total PMEM Capacity (GB)	1536	1536	1536	1536	1536
Total Capacity per CPU	1632	1728	1920	2304	3072
<hr/>					
Capacity Per DIMM(GB) x 6 DIMMs	16 x6	32 x6	64 x6	128 x6	256 x6
Total DIMM Capacity (GB)	96	192	384	768	1536
Capacity Per PMEM(GB) x 6 PMEMs	512 x6	512 x6	512 x6	512 x6	512 x6
Total PMEM Capacity (GB)	3072	3072	3072	3072	3072
Total Capacity per CPU	3168	3264	3456	3840	4608

Notes:

1. If PMEMs are selected, 6 DIMMs per CPU must also be selected

Table 19 2nd Gen non-“L” and non-“M” CPU DIMM/PMEM Memory (6 DIMMs per CPU, and 2, 4, or 6 PMEMs per CPU)

Number of DIMMs ¹ /PMEMs per CPU					
Capacity Per DIMM(GB) x 6 DIMMs	16 x6	32 x6	64 x6	128 x6	256 x6
Total DIMM Capacity (GB)	96	192	384	768	1536
Capacity Per PMEM(GB) x 2 PMEMs	128 x2	128 x2	128 x2	128 x2	128 x2
Total PMEM Capacity (GB)	256	256	256	256	N/A
Total Capacity per CPU	352	448	640	1024	N/A
<hr/>					
Capacity Per DIMM(GB) x 6 DIMMs	16 x6	32 x6	64 x6	128 x6	256 x6
Total DIMM Capacity (GB)	96	192	384	768	1536
Capacity Per PMEM(GB) x 2 PMEMs	256 x2	256 x2	256 x2	256 x2	256 x2
Total PMEM Capacity (GB)	512	512	512	N/A	N/A
Total Capacity per CPU	608	704	896	N/A	N/A
<hr/>					
Capacity Per DIMM(GB) x 6 DIMMs	16 x6	32 x6	64 x6	128 x6	256 x6
Total DIMM Capacity (GB)	96	192	384	768	1536
Capacity Per PMEM(GB) x 2 PMEMs	512 x2	512 x2	512 x2	512 x2	512 x2
Total PMEM Capacity (GB)	N/A	N/A	N/A	N/A	N/A
Total Capacity per CPU	N/A	N/A	N/A	N/A	N/A
<hr/>					
Capacity Per DIMM(GB) x 6 DIMMs	16 x6	32 x6	64 x6	128 x6	256 x6
Total DIMM Capacity (GB)	96	192	384	768	1536
Capacity Per PMEM(GB) x 4 PMEMs	128 x4	128 x4	128 x4	128 x4	128 x4
Total PMEM Capacity (GB)	512	512	512	N/A	N/A
Total Capacity per CPU	608	704	896	N/A	N/A
<hr/>					
Capacity Per DIMM(GB) x 6 DIMMs	16 x6	32 x6	64 x6	128 x6	256 x6
Total DIMM Capacity (GB)	96	192	384	768	1536
Capacity Per PMEM(GB) x 4 PMEMs	256 x4	256 x4	256 x4	256 x4	256 x4
Total PMEM Capacity (GB)	N/A	N/A	N/A	N/A	N/A
Total Capacity per CPU	N/A	N/A	N/A	N/A	N/A

Table 19 2nd Gen non-“L” and non-“M” CPU DIMM/PMEM Memory (6 DIMMs per CPU, and 2, 4, or 6 PMEMs per CPU) (continued)

Number of DIMMs ¹ /PMEMs per CPU					
Capacity Per DIMM(GB) x 6 DIMMs	16 x6	32 x6	64 x6	128 x6	256 x6
Total DIMM Capacity (GB)	N/A	N/A	N/A	N/A	N/A
Capacity Per PMEM(GB) x 4 PMEMs	512 x4	512 x4	512 x4	512 x4	512 x4
Total PMEM Capacity (GB)	N/A	N/A	N/A	N/A	N/A
Total Capacity per CPU	N/A	N/A	N/A	N/A	N/A
<hr/>					
Capacity Per DIMM(GB) x 6 DIMMs	16 x6	32 x6	64 x6	128 x6	256 x6
Total DIMM Capacity (GB)	96	192	N/A	N/A	N/A
Capacity Per PMEM(GB) x 6 PMEMs	128 x6	128 x6	128 x6	128 x6	128 x6
Total PMEM Capacity (GB)	768	768	N/A	N/A	N/A
Total Capacity per CPU	864	960	N/A	N/A	N/A
<hr/>					
Capacity Per DIMM(GB) x 6 DIMMs	16 x6	32 x6	64 x6	128 x6	256 x6
Total DIMM Capacity (GB)	N/A	N/A	N/A	N/A	N/A
Capacity Per PMEM(GB) x 6 PMEMs	256 x6	256 x6	256 x6	256 x6	256 x6
Total PMEM Capacity (GB)	N/A	N/A	N/A	N/A	N/A
Total Capacity per CPU	N/A	N/A	N/A	N/A	N/A
<hr/>					
Capacity Per DIMM(GB) x 6 DIMMs	16 x6	32 x6	64 x6	128 x6	256 x6
Total DIMM Capacity (GB)	N/A	N/A	N/A	N/A	N/A
Capacity Per PMEM(GB) x 6 PMEMs	512 x6	512 x6	512 x6	512 x6	512 x6
Total PMEM Capacity (GB)	N/A	N/A	N/A	N/A	N/A
Total Capacity per CPU	N/A	N/A	N/A	N/A	N/A

Notes:

1. If PMEMs are selected, 6 DIMMs per CPU must also be selected



NOTE:

- The cells marked with N/A indicate a memory capacity configuration that would be more than the allowable 1024 GB and therefore cannot be configured.
- Configurations of any 6 DIMMs and 2 512 GB PMEMs, or any 6 DIMMs and any 6 PMEMs are not valid, because they always exceed the 1024 GB capacity limit.

Memory Mode and Mixed Mode

The following tables apply to the Memory Mode and Mixed Mode. The recommended DIMM:PMEM ratio for Memory Mode is from 1:4 to 1:16. Ratios in that range are indicated in green shading below; ratios outside that range are indicated in red shading. In Mixed Mode, the ratio is between memory and only the volatile portion of the PMEMs and is not specifically called out in the tables below because the ratio depends on how much of the PMEM memory has been allocated to volatile memory.



NOTE: For Memory and Mixed Modes, DIMMs are used as cache and do not factor into CPU capacity.

Table 20 2nd Gen “M” CPU DIMM/PMEM Memory (6 DIMMs per CPU, and 2, 4, or 6 PMEMs per CPU)

Number of DIMMs ¹ /PMEMs per CPU					
Capacity Per DIMM(GB) x 6 DIMMs	16 x6	32 x6	64 x6	128 x6	256 x6
Total DIMM Capacity (GB)	96	192	384	768	1536
Capacity Per PMEM(GB) x 2 PMEMs	128 x2	128 x2	128 x2	128 x2	128 x2
Total PMEM Capacity (GB)	256	256	256	256	256
DIMM:PMEM capacity ratio per CPU	1:2.67	1:1.33	1:0.67	1:0.33	2:0.167
Total Capacity per CPU	256	256	256	256	256
Capacity Per DIMM(GB) x 6 DIMMs	16 x6	32 x6	64 x6	128 x6	256 x6
Total DIMM Capacity (GB) (cache only)	96	192	384	768	1536
Capacity Per PMEM(GB) x 2 PMEMs	256 x2	256 x2	256 x2	256 x2	256 x2
Total PMEM Capacity (GB)	512	512	512	512	512
DIMM:PMEM capacity ratio per CPU	1:5.33	1:2.67	1:1.33	1:0.67	1:0.33
Total Capacity per CPU	512	512	512	512	512

Table 20 2nd Gen “M” CPU DIMM/PMEM Memory (6 DIMMs per CPU, and 2, 4, or 6 PMEMs per CPU)

Number of DIMMs ¹ /PMEMs per CPU					
Capacity Per DIMM(GB) x 6 DIMMs	16 x6	32 x6	64 x6	128 x6	256 x6
Total DIMM Capacity (GB) (cache only)	96	192	384	768	1536
Capacity Per PMEM(GB) x 2 PMEMs	512 x2	512 x2	512 x2	512 x2	512 x2
Total PMEM Capacity (GB)	1024	1024	1024	1024	1024
DIMM:PMEM capacity ratio per CPU	1:10.67	1:5.33	1:2.67	1:1.33	1:0.67
Total Capacity per CPU	1024	1024	1024	1024	1024
<hr/>					
Capacity Per DIMM(GB) x 6 DIMMs	16 x6	32 x6	64 x6	128 x6	256 x6
Total DIMM Capacity (GB) (cache only)	96	192	384	768	1536
Capacity Per PMEM(GB) x 4 PMEMs	128 x4	128 x4	128 x4	128 x4	128 x4
Total PMEM Capacity (GB)	512	512	512	512	512
DIMM:PMEM capacity ratio per CPU	1:5.33	1:2.67	1:1.33	1:0.67	1:0.33
Total Capacity per CPU	512	512	512	512	512
<hr/>					
Capacity Per DIMM(GB) x 6 DIMMs	16 x6	32 x6	64 x6	128 x6	256 x6
Total DIMM Capacity (GB) (cache only)	96	192	384	768	1536
Capacity Per PMEM(GB) x 4 PMEMs	256 x4	256 x4	256 x4	256 x4	256 x4
Total PMEM Capacity (GB)	1024	1024	1024	1024	1024
DIMM:PMEM capacity ratio per CPU	1:10.66	1:5.33	1:2.67	1:1.33	1:0.67
Total Capacity per CPU	1024	1024	1024	1024	1024

Table 20 2nd Gen “M” CPU DIMM/PMEM Memory (6 DIMMs per CPU, and 2, 4, or 6 PMEMs per CPU)

Number of DIMMs ¹ /PMEMs per CPU					
Capacity Per DIMM(GB) x 6 DIMMs	16 x6	32 x6	64 x6	128 x6	256 x6
Total DIMM Capacity (GB)	96	192	384	768	1536
Capacity Per PMEM(GB) x 4 PMEMs	512 x4	512 x4	512 x4	512 x4	512 x4
Total PMEM Capacity (GB)	2048	2048	2048	2048	2048
DIMM:PMEM capacity ratio per CPU	1:21.33	1:10.66	1:5.33	1:2.67	1:1.33
Total Capacity per CPU	2048	2048	2048	2048	2048
Capacity Per DIMM(GB) x 6 DIMMs	16 x6	32 x6	64 x6	128 x6	256 x6
Total DIMM Capacity (GB)	96	192	384	768	1536
Capacity Per PMEM(GB) x 6 PMEMs	128 x6	128 x6	128 x6	128 x6	128 x6
Total PMEM Capacity (GB)	768	768	768	768	768
DIMM:PMEM capacity ratio per CPU	1:8	1:4	1:2	1:1	1:0.5
Total Capacity per CPU	768	768	768	768	768
Capacity Per DIMM(GB) x 6 DIMMs	16 x6	32 x6	64 x6	128 x6	256 x6
Total DIMM Capacity (GB)	96	192	384	768	1536
Capacity Per PMEM(GB) x 6 PMEMs	256 x6	256 x6	256 x6	256 x6	256 x6
Total PMEM Capacity (GB)	1536	1536	1536	1536	1536
DIMM:PMEM capacity ratio per CPU	1:16	1:8	1:4	1:2	1:1
Total Capacity per CPU	1536	1536	1536	1536	1536

Table 20 2nd Gen “M” CPU DIMM/PMEM Memory (6 DIMMs per CPU, and 2, 4, or 6 PMEMs per CPU)

Number of DIMMs ¹ /PMEMs per CPU					
Capacity Per DIMM(GB) x 6 DIMMs	16 x6	32 x6	64 x6	128 x6	256 x6
Total DIMM Capacity (GB)	N/A	N/A	N/A	N/A	N/A
Capacity Per PMEM(GB) x 6 PMEMs	512 x6	512 x6	512 x6	512 x6	512 x6
Total PMEM Capacity (GB)	N/A	N/A	N/A	N/A	N/A
DIMM:PMEM capacity ratio per CPU	1:32	1:16	1:8	1:4	1:2
Total Capacity per CPU	N/A	N/A	N/A	N/A	N/A

Notes:

1. If PMEMs are selected, 6 DIMMs per CPU must also be selected



NOTE: The cells marked with N/A indicate a memory capacity that would be more than the allowable 2048 GB for “M” CPUs and therefore cannot be configured.

Table 21 2nd Gen “L” CPU DIMM/PMEM Memory (6 DIMMs per CPU, and 2, 4, or 6 PMEMs per CPU)

Number of DIMMs ¹ /PMEMs per CPU					
Capacity Per DIMM(GB) x 6 DIMMs	16 x6	32 x6	64 x6	128 x6	256 x6
Total DIMM Capacity (GB)	96	192	384	768	1536
Capacity Per PMEM(GB) x 2 PMEMs	128 x2	128 x2	128 x2	128 x2	128 x2
Total PMEM Capacity (GB)	256	256	256	256	256
DIMM:PMEM capacity ratio per CPU	1:2.67	1:1.33	1:0.67	1:0.33	1:0.67
Total Capacity per CPU	256	256	256	256	256
Capacity Per DIMM(GB) x 6 DIMMs	16 x6	32 x6	64 x6	128 x6	256 x6
Total DIMM Capacity (GB)	96	192	384	768	1536
Capacity Per PMEM(GB) x 2 PMEMs	256 x2	256 x2	256 x2	256 x2	256 x2
Total PMEM Capacity (GB)	512	512	512	512	512
DIMM:PMEM capacity ratio per CPU	1:5.33	1:2.67	1:1.33	1:0.67	1:0.33
Total Capacity per CPU	512	512	512	512	512

Table 21 2nd Gen “L” CPU DIMM/PMEM Memory (6 DIMMs per CPU, and 2, 4, or 6 PMEMs per CPU)

Number of DIMMs ¹ /PMEMs per CPU					
Capacity Per DIMM(GB) x 6 DIMMs	16 x6	32 x6	64 x6	128 x6	256 x6
Total DIMM Capacity (GB)	96	192	384	768	1536
Capacity Per PMEM(GB) x 2 PMEMs	512 x2	512 x2	512 x2	512 x2	512 x2
Total PMEM Capacity (GB)	1024	1024	1024	1024	1024
DIMM:PMEM capacity ratio per CPU	1:10.66	1:5.33	1:2.67	1:1.33	1:0.67
Total Capacity per CPU	1024	1024	1024	1024	1024
<hr/>					
Capacity Per DIMM(GB) x 6 DIMMs	16 x6	32 x6	64 x6	128 x6	256 x6
Total DIMM Capacity (GB)	96	192	384	768	1536
Capacity Per PMEM(GB) x 4 PMEMs	128 x4	128 x4	128 x4	128 x4	128 x4
Total PMEM Capacity (GB)	512	512	512	512	512
DIMM:PMEM capacity ratio per CPU	1:5.33	1:2.67	1:1.33	1:0.67	1:0.33
Total Capacity per CPU	512	512	512	512	512
<hr/>					
Capacity Per DIMM(GB) x 6 DIMMs	16 x6	32 x6	64 x6	128 x6	256 x6
Total DIMM Capacity (GB)	96	192	384	768	1536
Capacity Per PMEM(GB) x 4 PMEMs	256 x4	256 x4	256 x4	256 x4	256 x4
Total PMEM Capacity (GB)	1024	1024	1024	1024	1024
DIMM:PMEM capacity ratio per CPU	1:10.66	1:5.33	1:2.67	1:1.33	1:0.67
Total Capacity per CPU	1024	1024	1024	1024	1024
<hr/>					
Capacity Per DIMM(GB) x 6 DIMMs	16 x6	32 x6	64 x6	128 x6	256 x6
Total DIMM Capacity (GB)	96	192	384	768	1536
Capacity Per PMEM(GB) x 4 PMEMs	512 x4	512 x4	512 x4	512 x4	512 x4
Total PMEM Capacity (GB)	2048	2048	2048	2048	2048
DIMM:PMEM capacity ratio per CPU	1:21.33	1:10.66	1:5.33	1:2.67	1:1.33
Total Capacity per CPU	2048	2048	2048	2048	2048
<hr/>					
Capacity Per DIMM(GB) x 6 DIMMs	16 x6	32 x6	64 x6	128 x6	256 x6
Total DIMM Capacity (GB)	96	192	384	768	1536
Capacity Per PMEM(GB) x 6 PMEMs	128 x6	128 x6	128 x6	128 x6	128 x6

Table 21 2nd Gen “L” CPU DIMM/PMEM Memory (6 DIMMs per CPU, and 2, 4, or 6 PMEMs per CPU)

Number of DIMMs ¹ /PMEMs per CPU					
Total PMEM Capacity (GB)	768	768	768	768	768
DIMM:PMEM capacity ratio per CPU	1:8	1:4	1:2	1:1	2:1
Total Capacity per CPU	768	768	768	768	768
Capacity Per DIMM(GB) x 6 DIMMs	16 x6	32 x6	64 x6	128 x6	256 x6
Total DIMM Capacity (GB)	96	192	384	768	1536
Capacity Per PMEM(GB) x 6 PMEMs	256 x6	256 x6	256 x6	256 x6	256 x6
Total PMEM Capacity (GB)	1536	1536	1536	1536	1536
DIMM:PMEM capacity ratio per CPU	1:16	1:8	1:4	1:2	1:1
Total Capacity per CPU	1536	1536	1536	1536	1536
Capacity Per DIMM(GB) x 6 DIMMs	16 x6	32 x6	64 x6	128 x6	256 x6
Total DIMM Capacity (GB)	96	192	384	768	1536
Capacity Per PMEM(GB) x 6 PMEMs	512 x6	512 x6	512 x6	512 x6	512 x6
Total PMEM Capacity (GB)	3072	3072	3072	3072	3072
DIMM:PMEM capacity ratio per CPU	1:32	1:16	1:8	1:4	1:2
Total Capacity per CPU	3072	3072	3072	3072	3072

Notes:

1. If PMEMs are selected, 6 DIMMs per CPU must also be selected

Table 22 2nd Gen non-“L” and non-“M” CPU DIMM/PMEM Memory (6 DIMMs per CPU, and 2, 4, or 6 PMEMs per CPU)

Number of DIMMs ¹ /PMEMs per CPU					
Capacity Per DIMM(GB) x 6 DIMMs	16 x6	32 x6	64 x6	128 x6	256 x6
Total DIMM Capacity (GB)	96	192	384	768	1536
Capacity Per PMEM(GB) x 2 PMEMs	128 x2	128 x2	128 x2	128 x2	128 x2
Total PMEM Capacity (GB)	256	256	256	256	256
DIMM:PMEM capacity ratio per CPU	1:2.67	1:1.33	1:0.67	1:0.33	1:0.67
Total Capacity per CPU	256	256	256	256	256
Capacity Per DIMM(GB) x 6 DIMMs	16 x6	32 x6	64 x6	128 x6	256 x6
Total DIMM Capacity (GB)	96	192	384	768	1536
Capacity Per PMEM(GB) x 2 PMEMs	256 x2	256 x2	256 x2	256 x2	256 x2
Total PMEM Capacity (GB)	512	512	512	512	512

Table 22 2nd Gen non-“L” and non-“M” CPU DIMM/PMEM Memory (6 DIMMs per CPU, and 2, 4, or 6 PMEMs per CPU) (continued)

Number of DIMMs ¹ /PMEMs per CPU					
DIMM:PMEM capacity ratio per CPU	1:5.33	1:2.67	1:1.33	1:0.67	1:0.33
Total Capacity per CPU	512	512	512	512	512
<hr/>					
Capacity Per DIMM(GB) x 6 DIMMs	16 x6	32 x6	64 x6	128 x6	256 x6
Total DIMM Capacity (GB)	96	192	384	768	1536
Capacity Per PMEM(GB) x 2 PMEMs	512 x2	512 x2	512 x2	512 x2	512 x2
Total PMEM Capacity (GB)	1024	1024	1024	1024	1024
DIMM:PMEM capacity ratio per CPU	1:10.66	1:5.33	1:2.67	1:1.33	1:0.67
Total Capacity per CPU	1024	1024	1024	1024	1024
<hr/>					
Capacity Per DIMM(GB) x 6 DIMMs	16 x6	32 x6	64 x6	128 x6	256 x6
Total DIMM Capacity (GB)	96	192	384	768	1536
Capacity Per PMEM(GB) x 4 PMEMs	128 x4	128 x4	128 x4	128 x4	128 x4
Total PMEM Capacity (GB)	512	512	512	512	512
DIMM:PMEM capacity ratio per CPU	1:5.33	1:2.67	1:1.33	1:0.67	1:0.33
Total Capacity per CPU	512	512	512	512	512
<hr/>					
Capacity Per DIMM(GB) x 6 DIMMs	16 x6	32 x6	64 x6	128 x6	256 x6
Total DIMM Capacity (GB)	96	192	384	768	1536
Capacity Per PMEM(GB) x 4 PMEMs	256 x4	256 x4	256 x4	256 x4	256 x4
Total PMEM Capacity (GB)	1024	1024	1024	1024	1024
DIMM:PMEM capacity ratio per CPU	1:10.66	1:5.33	1:2.67	1:1.33	1:0.67
Total Capacity per CPU	1024	1024	1024	1024	1024
<hr/>					
Capacity Per DIMM(GB) x 6 DIMMs	16 x6	32 x6	64 x6	128 x6	256 x6
Total DIMM Capacity (GB)	N/A	N/A	N/A	N/A	N/A
Capacity Per PMEM(GB) x 2 PMEMs	512 x2	512 x2	512 x2	512 x2	512 x2
Total PMEM Capacity (GB)	N/A	N/A	N/A	N/A	N/A
DIMM:PMEM capacity ratio per CPU	N/A	N/A	N/A	N/A	N/A
Total Capacity per CPU	N/A	N/A	N/A	N/A	N/A
<hr/>					
Capacity Per DIMM(GB) x 6 DIMMs	16 x6	32 x6	64 x6	128 x6	256 x6
Total DIMM Capacity (GB)	96	192	384	768	1536
Capacity Per PMEM(GB) x 6 PMEMs	128 x6	128 x6	128 x6	128 x6	128 x6
Total PMEM Capacity (GB)	768	768	768	768	768
DIMM:PMEM capacity ratio per CPU	1:8	1:4	1:2	1:1	2:1
Total Capacity per CPU	768	768	768	768	768

Table 22 2nd Gen non-“L” and non-“M” CPU DIMM/PMEM Memory (6 DIMMs per CPU, and 2, 4, or 6 PMEMs per CPU) (continued)

Number of DIMMs ¹ /PMEMs per CPU					
Capacity Per DIMM(GB) x 6 DIMMs	16 x6	32 x6	64 x6	128 x6	256 x6
Total DIMM Capacity (GB)	N/A	N/A	N/A	N/A	N/A
Capacity Per PMEM(GB) x 6 PMEMs	256 x6	256 x6	256 x6	256 x6	256 x6
Total PMEM Capacity (GB)	N/A	N/A	N/A	N/A	N/A
DIMM:PMEM capacity ratio per CPU	N/A	N/A	N/A	N/A	N/A
Total Capacity per CPU	N/A	N/A	N/A	N/A	N/A

Capacity Per DIMM(GB) x 6 DIMMs	16 x6	32 x6	64 x6	128 x6	256 x6
Total DIMM Capacity (GB)	N/A	N/A	N/A	N/A	N/A
Capacity Per PMEM(GB) x 6 PMEMs	512 x6	512 x6	512 x6	512 x6	512 x6
Total PMEM Capacity (GB)	N/A	N/A	N/A	N/A	N/A
DIMM:PMEM capacity ratio per CPU	N/A	N/A	N/A	N/A	N/A
Total Capacity per CPU	N/A	N/A	N/A	N/A	N/A

Notes:

1. If PMEMs are selected, 6 DIMMs per CPU must also be selected.



NOTE: The cells marked with N/A indicate a memory capacity that would be more than the allowable 1024 GB for non “M” and non “L” CPUs and therefore cannot be configured.

Installing a DIMM or DIMM Blank

To install a DIMM or a DIMM blank into a slot on the blade server, follow these steps.

Procedure

Step 1 Open both DIMM connector latches.

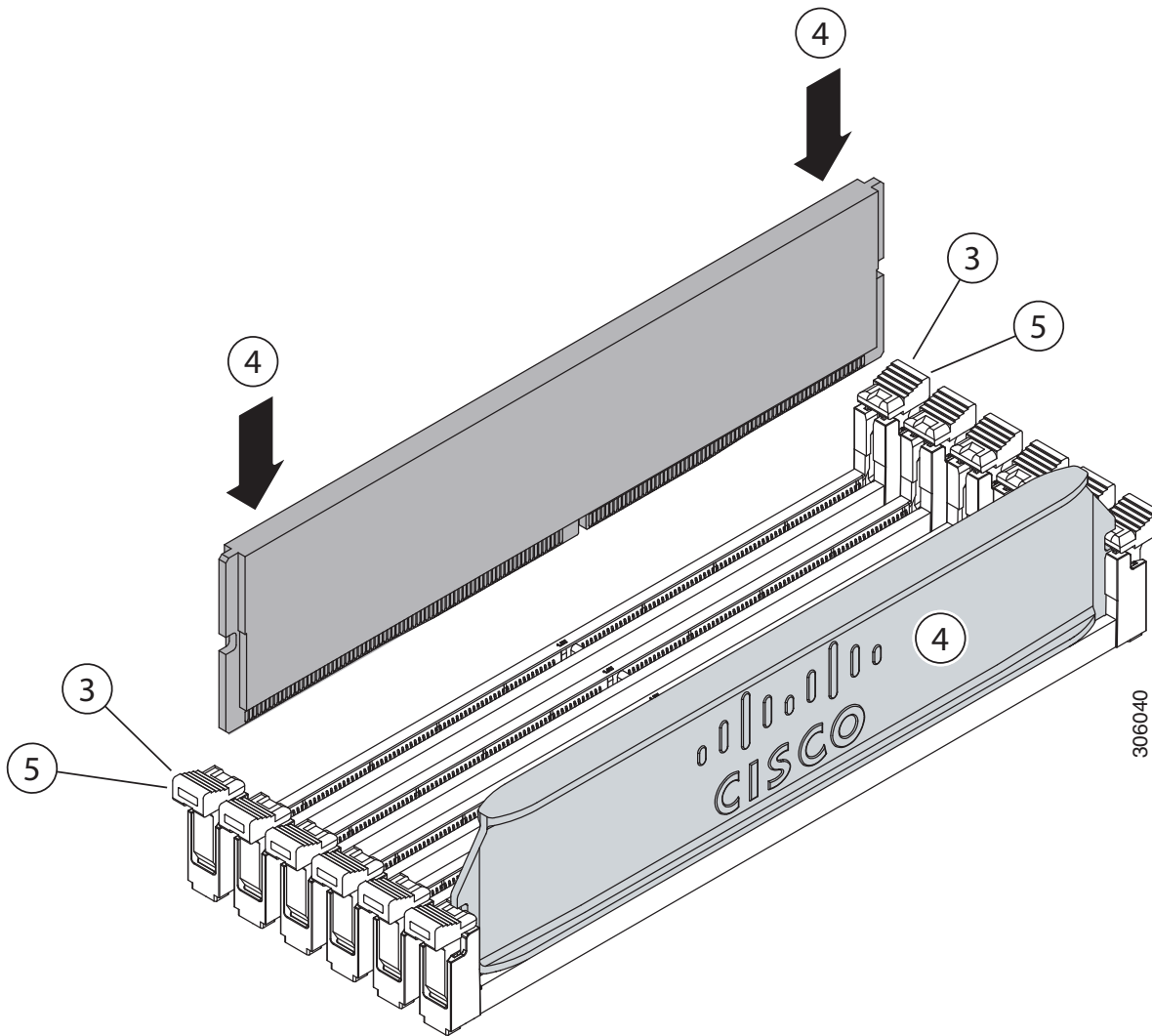
Step 2 Press evenly on both ends of the DIMM until it clicks into place in its slot

Note: Ensure that the notch in the DIMM aligns with the slot. If the notch is misalignment is possible damage the DIMM, the slot, or both.

Step 3 Press the DIMM connector latches inward slightly to seat them fully.

Step 4 Populate all slots with a DIMM or DIMM blank. A slot cannot be empty.

Figure 4 Installing Memory





Americas Headquarters
Cisco Systems, Inc.
San Jose, CA

Asia Pacific Headquarters
Cisco Systems (USA) Pte. Ltd.
Singapore

Europe Headquarters
Cisco Systems International BV Amsterdam,
The Netherlands

Cisco has more than 200 offices worldwide. Addresses, phone numbers, and fax numbers are listed on the Cisco Website at www.cisco.com/go/offices.

Cisco and the Cisco Logo are trademarks of Cisco Systems, Inc. and/or its affiliates in the U.S. and other countries. A listing of Cisco's trademarks can be found at www.cisco.com/go/trademarks. Third party trademarks mentioned are the property of their respective owners. The use of the word partner does not imply a partnership relationship between Cisco and any other company. (1005R)